



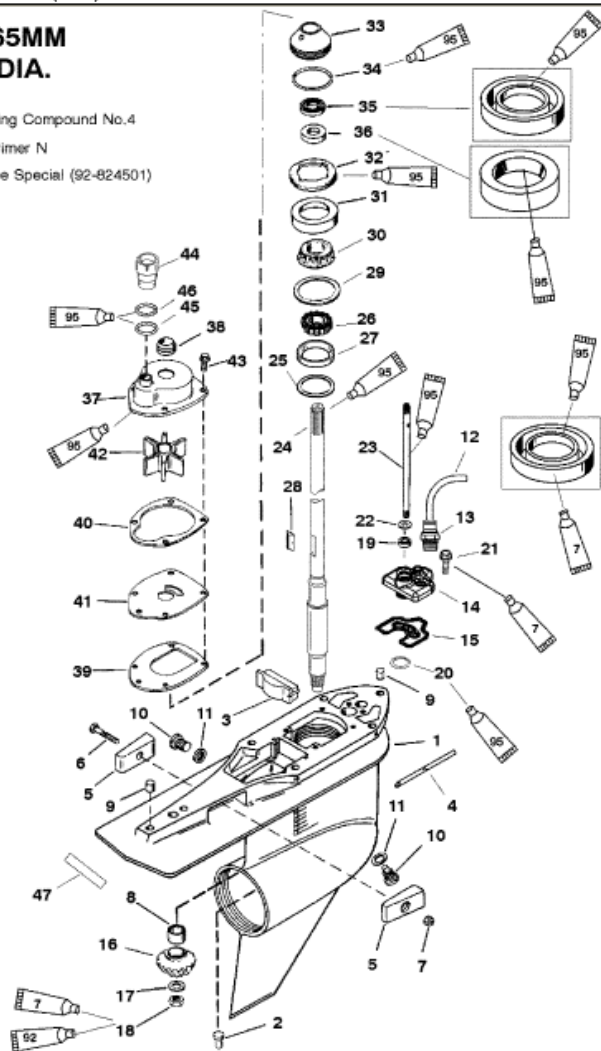


**4.75 IN/120.65MM  
 TORPEDO DIA.**

-  Loctite 271
-  Perfect Seal Sealing Compound No.4
-  Loctite Locquic Primer N
-  Chemtool Duralube Special (92-824501)



**GEAR HOUSING (DRIVE SHAFT)(COUNTER ROTATION)**

					Parts List		
Ref	Class	Part	Description	Qty	Comment	Footnote	
1	1623	859399T18	GEAR HOUSING	1			
2	17	37972 1	PIN	1			
3		821526	FILLER BLOCK	1			
4		859402	PITOT TUBE	1			
5		826134	ANODE	2			
6	10	40003 33	SCREW	1			
7	11	826833 6	NUT	1			
8	31	42647A 1	ROLLER BEARING	1			
9	17	43044	DOWEL PIN	2			
10	10	79953A 2	SCREW ASSEMBLY	2			
11	12	19183	SEALING WASHER	2		15	
12	32	859449 71	CONNECTOR	1	(X-LONG - 12 IN.)		
12	32	859449 71	CONNECTOR	1	(XX-LONG - 17 IN.)		
13	22	859432	CONNECTOR	1			
14		858934	COVER	1			
15	27	858935	GASKET	1			
16		NSS	PINION GEAR	1	(1.75:1 - 12/21) (PART OF 43-828)		
17	12	92721	WASHER	1			
18	11	35921	NUT	1			
19	26	816464 1	OIL SEAL	1		15	
20	25	36318	O RING	1		15	
21	10	19937 16	SCREW (M6 X 16)	2			
22	12	77674	RUBBER WASHER	1			
23		824145	SHIFT SHAFT (LOWER)	1			
24	45	858712	DRIVE SHAFT	1	(X-LONG)		
24	45	858713	DRIVE SHAFT	1	(XX-LONG)		
25	15	38657A 1	SHIM SET	AR			
26	31	48939A 2	TAPERED ROLLER BEARING	1			
27		NSS	CUP	1			
28	28	43037	KEY	1		18	
29	15	42637A 1	SHIM SEY	AR			
30	31	36387A 1	TAPERED ROLLER BEARING	1			
31		NSS	CUP	1			
32		824519	RETAINER	1			
33		807929A 1	CARRIER ASSEMBLY	1		18	
34	25	90011	O RING	1		15,18	
35	26	66302	OIL SEAL	1		15,18	
36	26	66302	OIL SEAL	1		15,18	
37		817275A 1	WATER PUMP ASSEMBLY	1		18	
38	26	816575A 2	SEAL	1		15,18	
39	27	42022 1	GASKET	1		15,18	